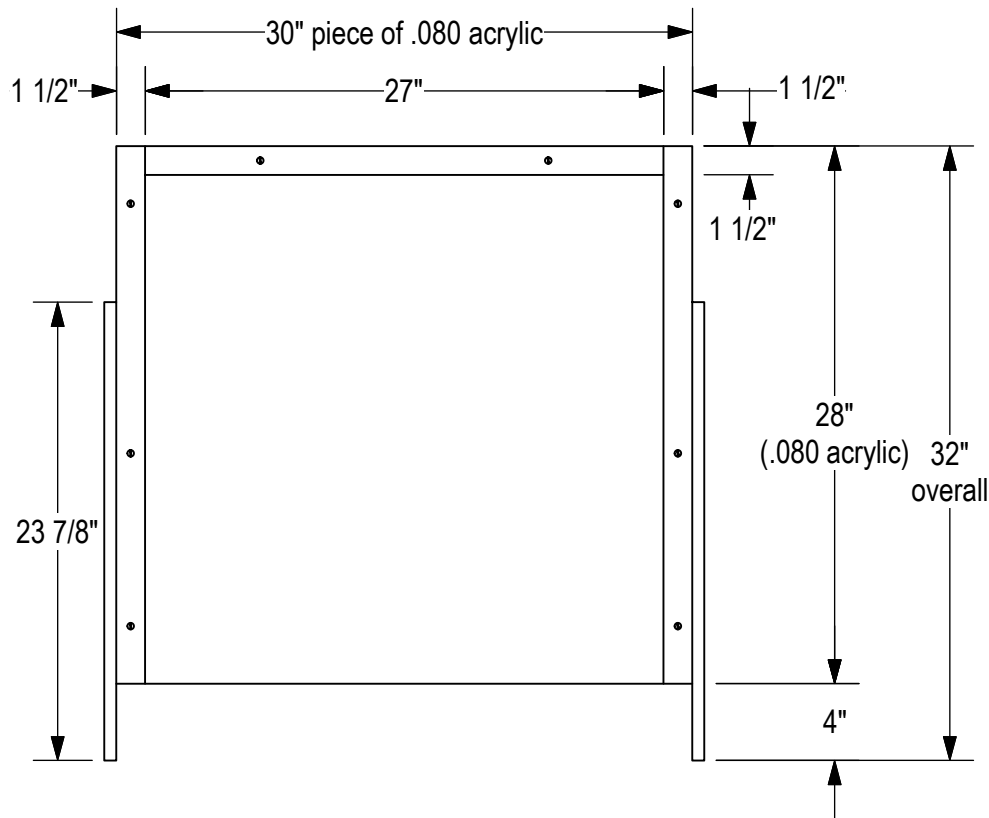
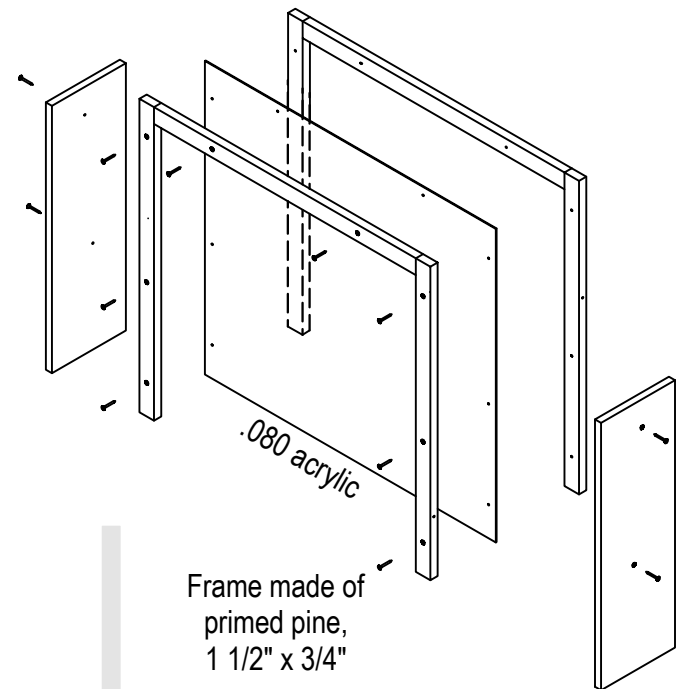


TOP

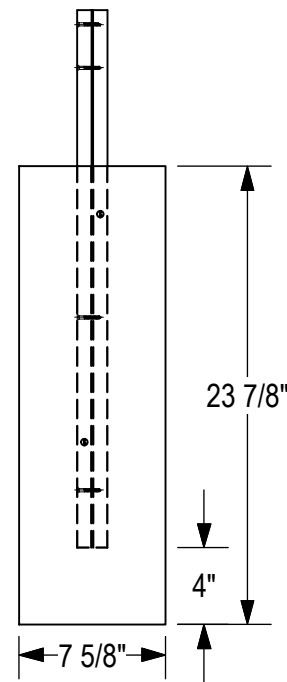


FRONT

Legs made of
7 5/8" x 23 7/8"
white shelves.



Frame made of
primed pine,
1 1/2" x 3/4"



SIDE

Materials needed:

- 1 piece of clear .080" acrylic
- 2 7 5/8" x 23 7/8" white shelf board or similar piece
- 2 1 1/2" x 3/4" primed pine cut to 27"
- 4 1 1/2" x 3/4" primed pine cut to 28"
- #8 x 1 1/4" flat head tapping screws

Notes:

Drill pilot holes in wood and in the acrylic.

Most of the surfaces are finished, but if possible paint the ends of the boards so that they can be properly wiped clean.



Deckel & Money penny
Exhibits • Engagements • Experiences

DIY plexiglas barrier

materials and dimensions