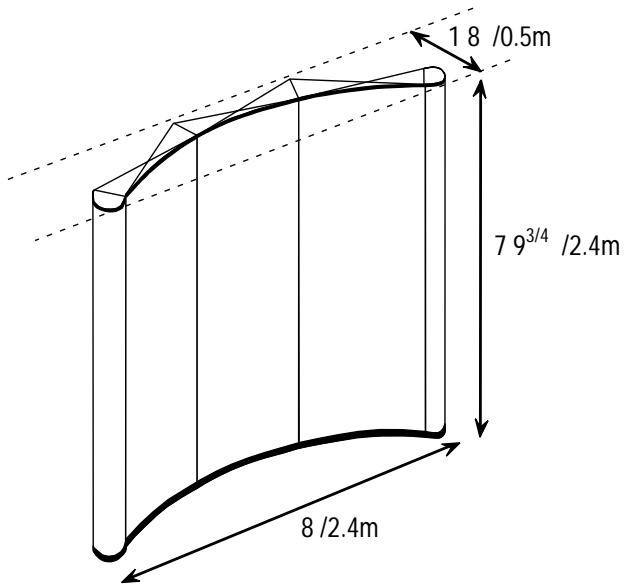
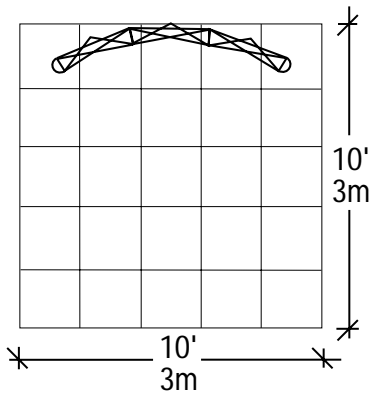


C33 Mercury



- Three Front Panels
each panel:
747 mm wide x
2280 mm tall
- Two End Cap Panels
each panel:
381 mm wide x
2280 mm tall



Deckel & Money Penny Exhibits
Trade Show Exhibit Specialists
Planning · Production · Logistics

Phone 502-636-5118
Toll Free 888-501-7469

www.deckelmoneypenny.com